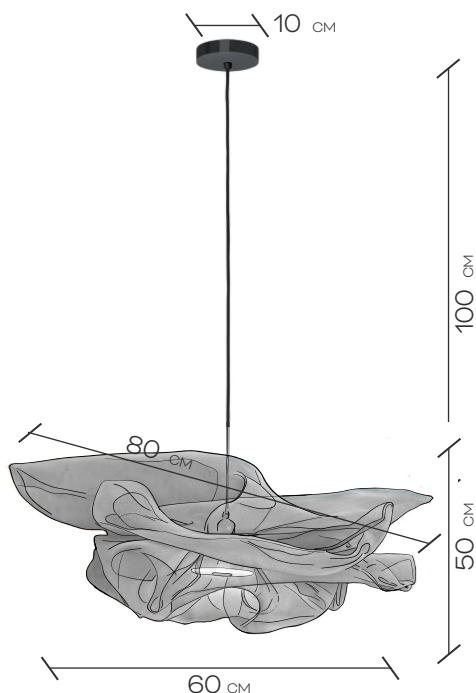


ATTITUDE
PAS DES DEUX COLLECTION 2024

1

DIMENSIONS



2

MATERIALS & COMPONENTS

LAMPSHADE

ALUMINIUM MESH



BLACK



WHITE



METALLIC



CUSTOM
PER
REQUEST

RAL

CANOPY AND CABLE

STEEL GLOSS- PLATED

BLACK TEXTILE CABLE | 1M [LENGTH CUSTOMIZABLE]

WEIGHT

2 KG.

3

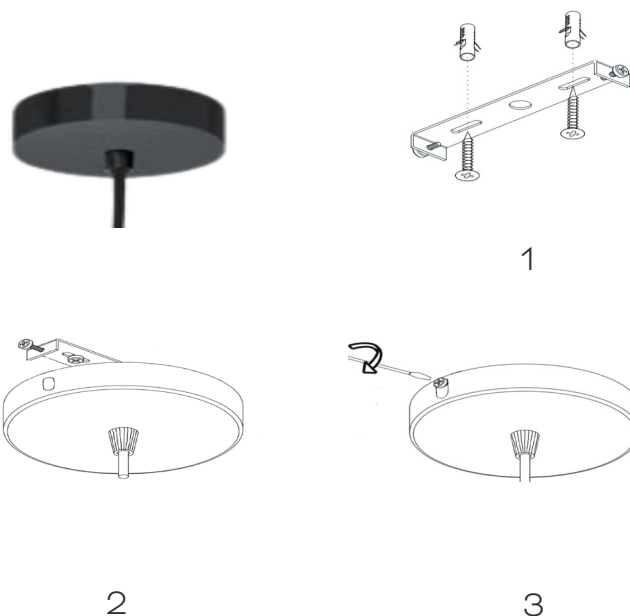
TECHNICAL INFO

RECOMMENDED BULBS

E27 LED- MAX. 1X10 W | 230V

4

ASSEMBLY INFO



1

2

3

3.1 INFO

SAFETY NOTE: SWITCH OFF MAINS SUPPLY BEFORE COMMENCING INSTALLATION

IT IS IMPORTANT TO TAKE GREATEST OF CARE DURING REMOVING THE LAMP FROM THE BOX AND INSTALLATION PROCESS, SINCE HOLDING OF THE LAMPSHADE WITH STRENGTH MAY MODIFY ITS ORIGINAL DESIGN