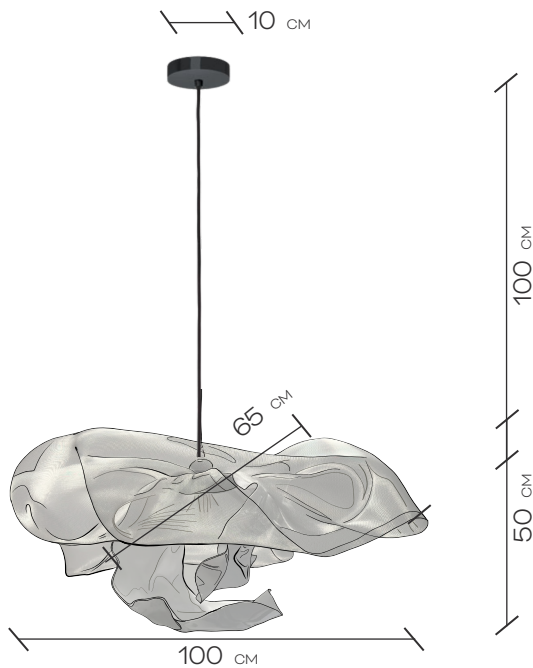


## ADAGIO

PAS DES DEUX COLLECTION 2024

1

### DIMENSIONS



2

### MATERIALS & COMPONENTS

#### LAMPSHADE

##### ALUMINIUM MESH



BLACK



WHITE



METALLIC



CUSTOM  
PER  
REQUEST

RAL

##### ACRYLIC GLASS



WHITE

#### CANOPY AND CABLE

##### STEEL GLOSS- PLATED

BLACK TEXTILE CABLE | 1M [LENGTH CUSTOMIZABLE]

#### WEIGHT

3 KG.

3

### TECHNICAL INFO

#### RECOMMENDED BULBS

E27 LED- MAX. 1X10 W | 230V

3.1

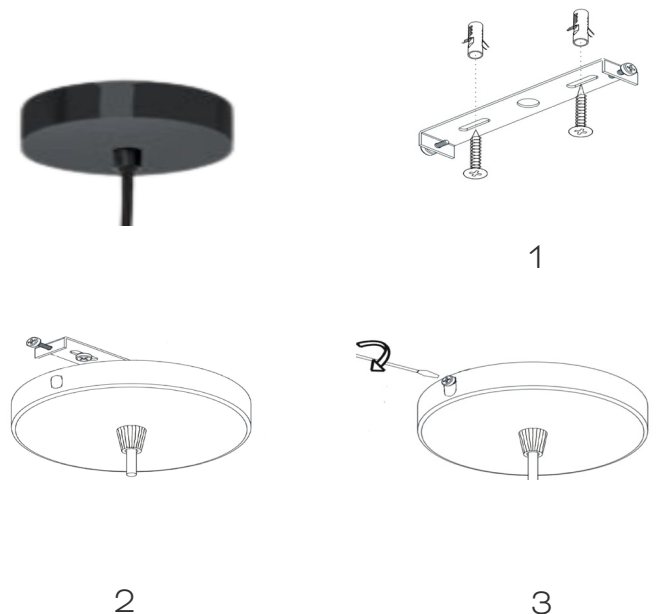
#### INFO

SAFETY NOTE: SWITCH OFF MAINS SUPPLY BEFORE COMMENCING INSTALLATION

IT IS IMPORTANT TO TAKE GREATEST OF CARE DURING REMOVING THE LAMP FROM THE BOX AND INSTALLATION PROCESS, SINCE HOLDING OF THE LAMPSHADE WITH STRENGTH MAY MODIFY ITS ORIGINAL DESIGN

4

### ASSEMBLY INFO



LUVI  
lighting

ADAGIO  
PAS DES DEUX COLLECTION 2024



360°

