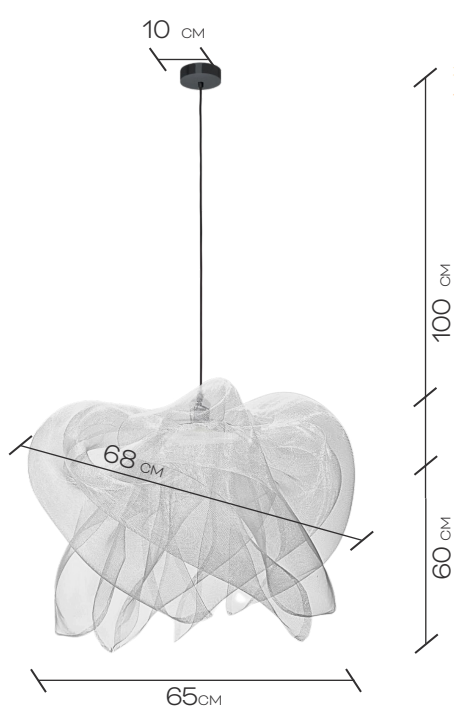


1

DIMENSIONS

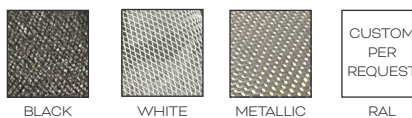


2

MATERIALS & COMPONENTS

LAMPSHADE

ALUMINIUM MESH



CANOPY AND CABLE

STEEL GLOSS- PLATED  
BLACK TEXTILE CABLE | 1M [LENGTH CUSTOMIZABLE]

WEIGHT

2 KG.

3

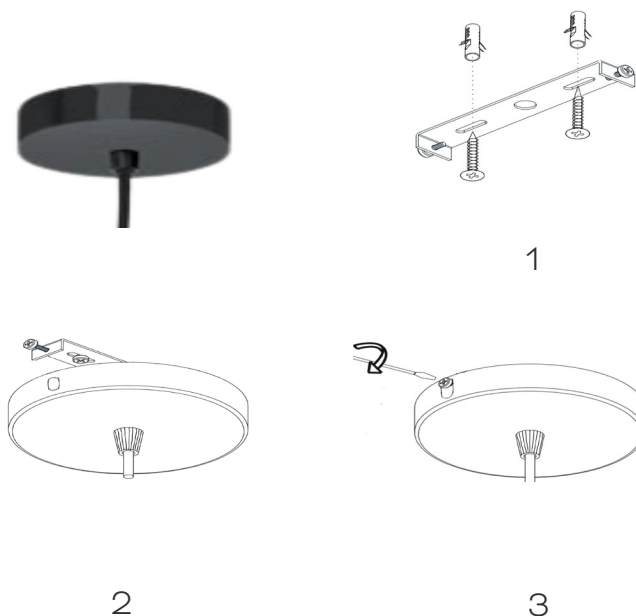
TECHNICAL INFO

RECOMMENDED BULBS

E27 LED- MAX. 1X10 W | 230V

4

ASSEMBLY INFO



3.1 INFO

SAFETY NOTE: SWITCH OFF MAINS SUPPLY BEFORE COMMENCING INSTALLATION

IT IS IMPORTANT TO TAKE GREATEST OF CARE DURING REMOVING THE LAMP FROM THE BOX AND INSTALLATION PROCESS, SINCE HOLDING OF THE LAMPSHADE WITH STRENGTH MAY MODIFY ITS ORIGINAL DESIGN